

## ASSEMBLY AND MOUNTING INSTRUCTIONS FOR SMALL ACCESSORY BRACKET

MOUNTS QUBICA VDB's AND STELTRONIC CONTROL UNITS

**MAXIMUM LOAD CAPACITY: 25 LBS. (11.3 KG)**

**ATTENTION: READ THE ENTIRE INSTRUCTION SHEET BEFORE YOU START THE ASSEMBLY AND INSTALLATION PROCESS. BE SURE TO FOLLOW ALL MOUNTING INSTRUCTIONS SHOWN OR THE MOUNT COULD COME LOOSED AND CAUSE INJURY.**

## Tools required for installation:

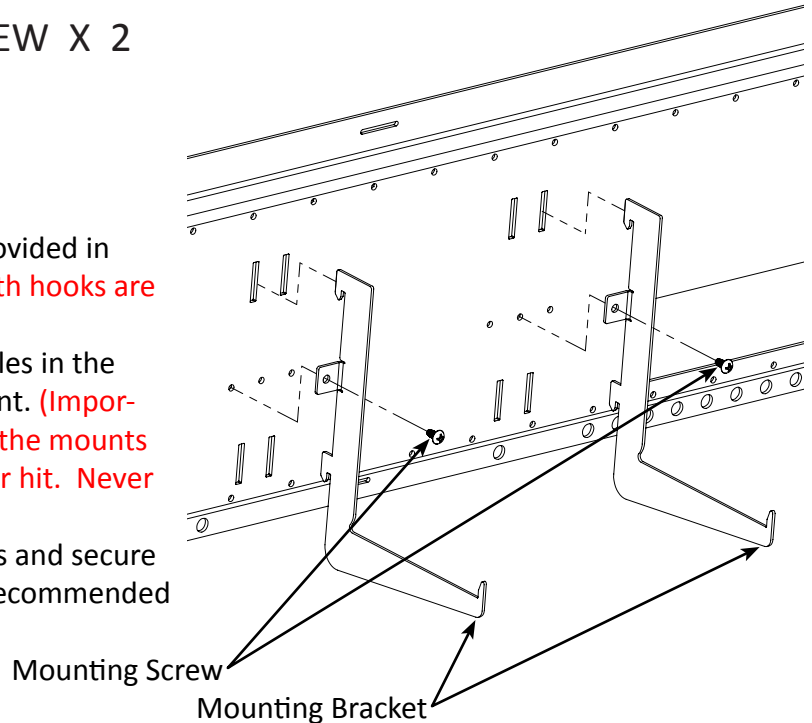
- PHILLIPS SCREWDRIVER

## Parts Required:

- MOUNTING BRACKET X 2
- #10 X 3/8" THREAD CUTTING SCREW X 2
- VELCRO STRAP X 1

## INSTALLATION:

- Install both mounting brackets in the slots provided in you Evolution mounting bracket. **(Be sure both hooks are engaged in the slots!)**
- Install the self-tapping screws through the holes in the brackets and into the mating hole in the mount. **(Important: The screws must be installed to ensure the mounts cannot come loose in the mount is bumped or hit. Never omit the screws!!)**
- Install your control unit onto the bracket arms and secure with the provided hook and loop tape. The recommended installation method is shown below.

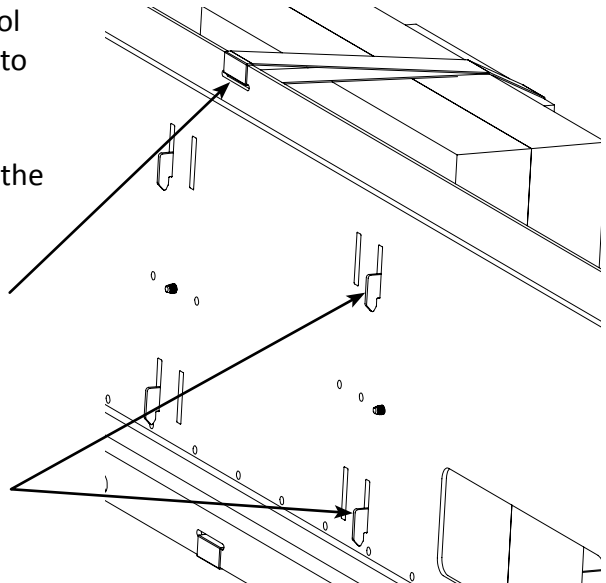


Note: Use whichever set of slots best supports your control unit. Make sure the brackets are not positioned too close to the ends of the control unit or it may fall if disturbed!

Never omit the hook and loop tape. It is critical to ensure the unit is secure.

Double the hook and loop tape back over itself as shown. You will have to make a complete loop through the slots provided and adhere the two ends of the tape to each other.

Be sure both hooks are engaged in the slots!



If you have any questions or comments please contact: